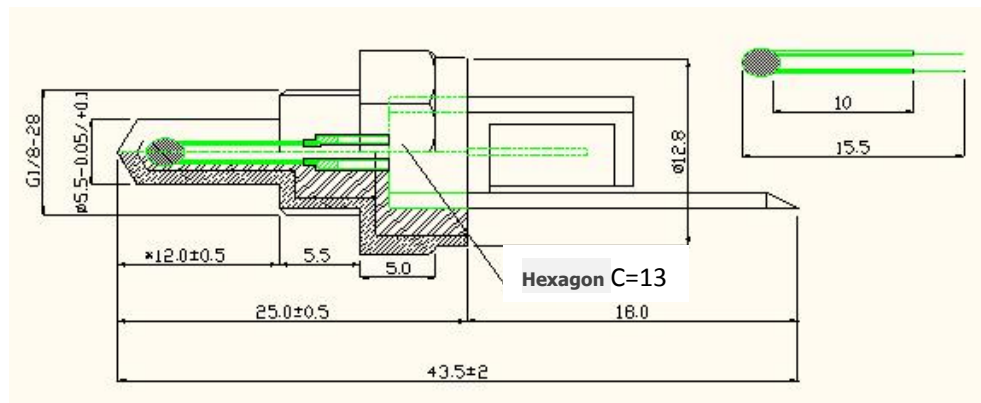


东莞市安伏特电子有限公司
Dongguan Ampfort Electronics Co., Ltd.

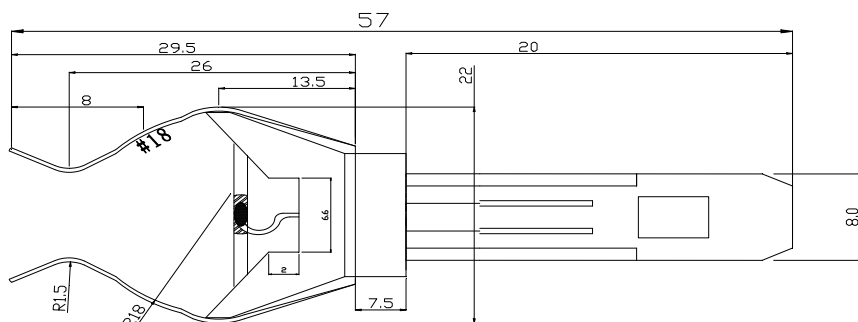
1) NSAB1103FB - 43.5AT

Boiler Probe



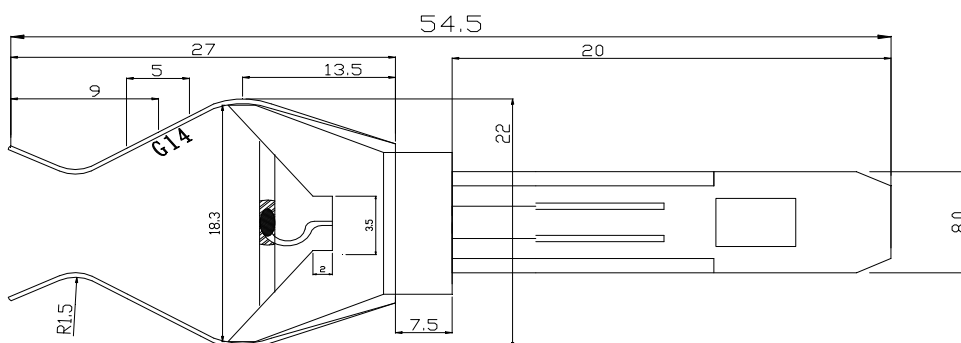
NO	Material Name	Model Description
2-1	Thermistor	R25=10Kohm±1% B25/85=3435±1% MF58R
2-2	Line Pipe	28AWG Black PVC Line Pipe
2-3	Tube	10L PTFE tube L=10mm
2-4	Shell	5.5*25.0+G1/8-28 Brass Shell(No tool marks)
2-5	Epoxy Resin	J105/J106B/J05X G108/GU01/GU-Mz Black
2-6	Wafer	2.5 MSF (3114) Black

2)NSAB1103FB – 57AC G18 Pipe Clamp



NO	Material Name	Model Description
2-1	Pipe Clamp	#18 Pipe Clamp/Blue Zinc Color
2-2	Plastic Housing	#18 Injection molding parts/Black/Heightening type
2-3	Copper Piece	Elastic phosphor copper T0.1
2-4	Epoxy Resin	GU108/GU01 G108/GU01/GU-Mz Black
2-5	Silicone Grease	Thermal conductivity white silicon grease
2-6	Thermistor	R25=10Kohm±1% B25/85=3435±1% MF58R
2-7	Line Pipe	28AWG Black PVC Line Pipe
2-8	Polyimide Film	8*15mm
2-9	Silica gel	704 Silica gel
2-10	Wafer	2.5 MSF (3114) Black

3)NSAB1103FB – 54.5AC #14 Pipe Clamp



NO	Material Name	Model Description
2-1	Pipe Clamp	#18 Pipe Clamp/Blue Zinc Color
2-2	Plastic Housing	#14 Injection molding parts/Black/Heightening type
2-3	Copper Piece	Elastic phosphor copper T0.1
2-4	Epoxy Resin	GU108/GU01 G108/GU01/GU-Mz Black
2-5	Silicone Grease	Thermal conductivity white silicon grease
2-6	Thermistor	R25=10Kohm±2.5% B25/85=3435±2% MF58R
2-7	Line Pipe	2651#28AWG Black PVC Line Pipe
2-8	Polyimide Film	8*15mm
2-9	Wafer	2.5 MSF (3114) Black